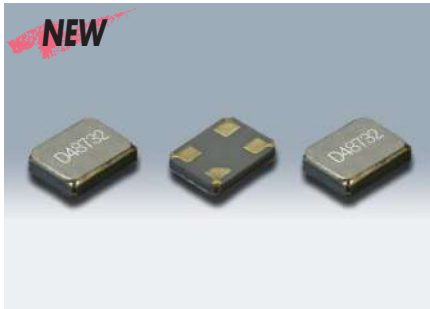


SMD Crystal Resonators/MHz Band Crystal Resonators

DSX1612A



Actual size □

■ Features

- 1612 size ultra miniature and lightweight SMD crystal resonator with a low profile of 0.30mm.
- High precision and high reliability
- Enable high density mounting

■ Applications

- Small mobile devices for next generation like mobile communications, short-range wireless modules, digital AV equipment and PC.

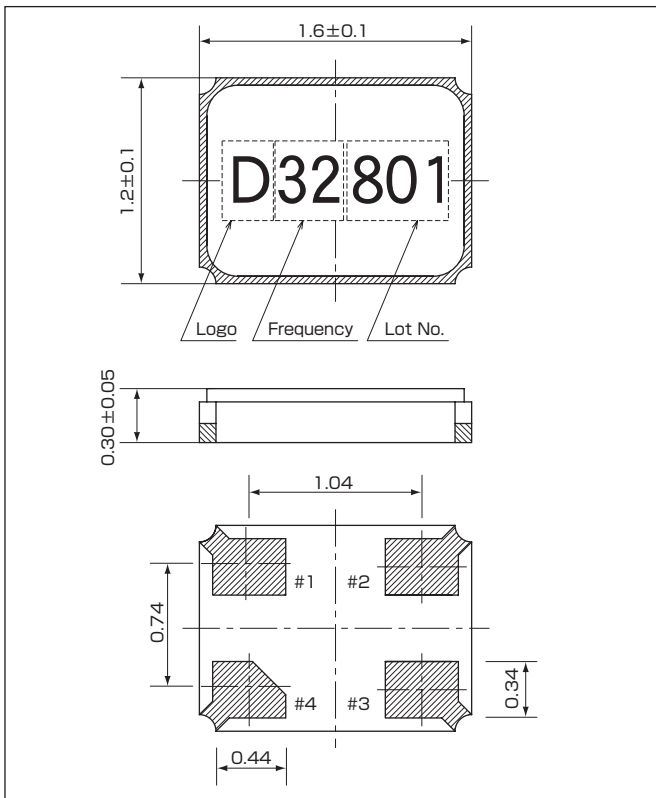


■ Standard Specification

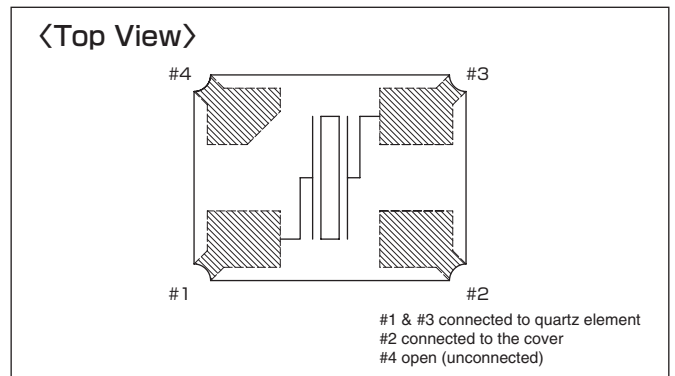
Item	Type	DSX1612A	
Frequency Range		32~40MHz	40~52MHz
Overtone Order		Fundamental	
Load Capacitance		Series, 8pF, 10pF, 12pF	
Drive Level		10μW (100μW max.)	
Frequency Tolerance		±10×10 ⁻⁶ , ±20×10 ⁻⁶ , ±30×10 ⁻⁶ , ±50×10 ⁻⁶ (at 25°C)	
Series Resistance		150Ωmax.	100Ωmax.
Frequency Characteristics over Temperature		±8×10 ⁻⁶ / -10~+60°C(Ref. to 25°C)	
		±12×10 ⁻⁶ / -20~+70°C(Ref. to 25°C)	
		±15×10 ⁻⁶ / -30~+85°C(Ref. to 25°C)	
Storage Temperature Range		-40~85°C	
Packing Unit		3000pcs./reel(φ180)	

Consult our sales representative for other specifications.

■ Dimensions[mm]



■ Internal Connections



■ Recommended Land Pattern

[mm]

